



LHC

EDMS NO.
1973010

REV.
0.1

VALIDITY
DRAFT

REFERENCE
LHC-TC-EC-0012

Date: 2018-07-03

ENGINEERING CHANGE REQUEST

Installation in IR2 of dispersion suppressor collimators (TCLD)

BRIEF DESCRIPTION OF THE PROPOSED CHANGE(S):

During LHC heavy-ion collisions, ultra-peripheral interactions take place. They modify the charge-to-mass ratio of outgoing ions, which are lost on the aperture in the dispersion suppressors around the collision points. The impacted magnets are likely to quench with HL-LHC Pb beam parameters. As demonstrated in the 2015 operation, this can be alleviated in IR1 and IR5 through orbit bumps, displacing the losses to the empty connection cryostat. This is not possible in IR2, where instead an installation of one new horizontal tungsten collimator (TCLD) per side is proposed. Instead of substituting a dipole with a TCLD and a pair of 11T magnets like it is foreseen for IR7, the baseline for IR2 is to install the collimators in the connection cryostat in cell 11 and to use orbit bumps to steer losses at this location. The new connection cryostat is described in a separate ECR.

This activity is within the scope of the HL-LHC project (WP5).

DOCUMENT PREPARED BY:

R. Bruce BE-ABP,
 A. Mereghetti BE-ABP,
 S. Redaelli BE-ABP.

DOCUMENT **TO BE** CHECKED BY:

C. Adorisio, M. Barberan, I. Bejar Alonso,
 M. Bernardini, C. Bertone, C. Boccard,
 L. Bottura, G. Bregliozzi, S. Bustamante,
 J. P. Corso, S. Deleval, B. Delille,
 R. de Maria, P. Fessia, R. Folch,
 J. F. Fuchs, C. Gaignant, M. Giovannozzi,
 G. Girardot, E. Jensen, R. Jones,
 J. Jowett, I. Lamas, M. Lamont,
 D. Missiaen, Y. Muttoni, M. Nonis,
 T. Otto, E. Page, G. Pigny, B. Salvant,
 F. Savary, R. Steerenberg, L. Tavian,
 M. Tavlet, D. Tommasini, C. Vollinger,
 J. Wenninger, C. Zamantzas, M. Zerlauth.

DOCUMENT **TO BE** APPROVED BY:

P. Collier
 (on behalf of the LMC)

 L. Rossi
 (on behalf of the HL-LHC project)

DOCUMENT SENT FOR INFORMATION TO:

ATS groups leaders

SUMMARY OF THE ACTIONS TO BE UNDERTAKEN:

Note: When approved, an Engineering Change Request becomes an Engineering Change Order.
This document is uncontrolled when printed. Check the EDMS to verify that this is the correct version before use.

1. EXISTING SITUATION AND INTRODUCTION

When heavy ions undergo ultra-peripheral interactions in the collision points of the experiments, secondary ion beams with a modified magnetic rigidity are generated [1, 2]. These ions represent a source of local heat deposition in the adjacent dispersion suppressor regions where the dispersion function starts rising. The dominating processes are bound-free pair production (BFPP), where electron-positron pairs are created and one (BFPP1) or two (BFPP2) electrons are caught in a bound state of one of the colliding nuclei, thus changing their charge, and 1- or 2-neutron electromagnetic dissociation (EMD1 and EMD2) where one nucleus emits one or two neutrons, thus changing mass. Further photon-induced processes also take place, but the four mechanisms mentioned here have the higher cross-sections. An example of ion beams produced in collisions of $^{208}\text{Pb}^{82+}$ nuclei in IR2 is given in Figure 1.

The magnets that are impacted by these losses are likely to quench at the high luminosities foreseen for HL-LHC. As alleviation, it is planned to install additional collimators (shown as black lines in Figure 1).

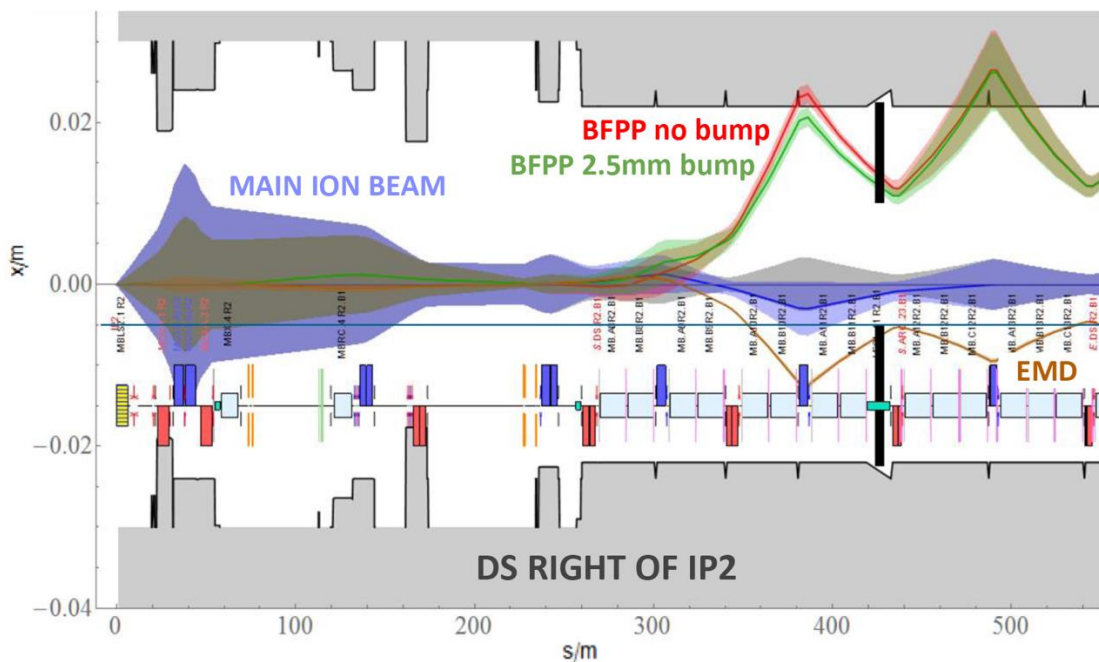


Figure 1 – The 1σ envelope of the main Pb^{82+} beam (violet) together with the dispersive trajectories of ions undergoing BFPP1 (red) and EMD1 (brown), coming out of the ALICE experiment (IP2). The TCLD collimator jaws appear as black lines. The green line indicates the shifted BFPP1 orbit using a closed orbit bump, which is necessary to intercept the beam with the collimator. The EMD1 beam can be intercepted with the other jaw. Courtesy of J.M. Jowett [8].

2. REASON FOR THE CHANGE

As can be seen in Figure 1, these secondary beams are lost very locally due to the large and sudden change of magnetic rigidity at the interaction point. After the LS2 ALICE upgrade, aiming at a peak luminosity of $6 \times 10^{27} \text{cm}^{-2} \text{s}^{-1}$ (about six times higher than the nominal one) [3], the dominant BFPP1 beam can carry about 155 W, resulting in a

power load in the coils of the MB.B10 dipole of about 44 mW/cm^3 [4] on both sides of ALICE. Similar ion losses also occur in the DS regions around ATLAS and CMS, however at different locations than in IR2. A beam loss experiment carried out during the 2015 Pb-Pb run at 6.37 Z TeV [5] confirmed the long-standing presumption that BFPP1 ions risk to quench magnets [1, 2]. The experiment was carried out around CMS because it was running at higher peak luminosity than ALICE. The deposited power during the quench was estimated with FLUKA simulations to be about a factor 6 lower than what is calculated for HL-LHC, hence this effect could be a serious limitation for HL-LHC.

During standard operation, special bumps were deployed around ATLAS and CMS to steer the BFPP1 losses into the locations of the connection cryostat, however, because of the quadrupole polarities in IR2, this solution alone is not possible at ALICE. Instead, the HL-LHC baseline is to install one additional collimator, called TCLD, on each outgoing beam in the IR2 dispersion suppressor, where the dispersion is already rising [3]. Orbit bumps allow making sure that the beam is not lost at the first (lower) dispersion peak (see Figure 1) and enable shifting the losses into the collimators. These TCLDs will also intercept the most powerful EMD beam (EMD1). FLUKA simulations have shown that the proposed TCLDs reduce the peak load on the magnets to tractable levels at HL-LHC design luminosity [4].

3. DETAILED DESCRIPTION

The most loaded magnet in IR2 is MB.B10 on each side. The TCLD in IR2 can be placed further downstream in the connection cryostat (LECL.11R2.B1 and LEBR.11L2.B2). The TCLDs will be installed in the centre of the space presently occupied by the connection cryostat (at the collimator centre, DCUM = 3758.0774 m for R2.B1 and DCUM = 2906.6434 m for L2.B2).

This requires two new shorter connection cryostats to be designed, and in between them, the TCLD assembly will be placed. The connection cryostats are described in a separate ECR under the responsibility of WP11 [6]. Details on the integration can be found in [7], although this document (version from March 2018) needs to be updated with the very latest design additions.

In order to optimize design and production efforts, the design of the TCLD assembly is identical to the one used in IR7.

The TCLD consists, as most other LHC collimators, of two parallel jaws collimating the beam in the horizontal plane, with the beam passing in between them. The active material of the jaws is the tungsten alloy Inermet 180. The design of the TCLD collimator, shown in more detail in Figure 2, Figure 3 and Figure 4, is derived from the design of the present LHC collimators, but with some differences. Since the design of the IR2 TCLDs is identical to that of the IR7 ones, and because of the very tight space requirements in IR7, the design is challenging and the active length of the material had to be reduced to only 60 cm, in order to make it fit. This means that also a non-standard support design is used. Furthermore, the bellows at the two longitudinal extremities are integrated in the tank transitions in order to gain longitudinal space. Special tooling for transport, handling and for the retraction of the collimator bellows during the installation has been designed. In order to gain as much space around the TCLD vacuum tank as

possible, a new thinner set of heating jackets (aerogel) has also been produced. A 3D drawing of the tank and support is shown in Figure 5.

The actuation system does not include any movement in the vertical plane, which allowed reducing the jaw height. Otherwise, each jaw can be independently moved by two stepping motors per jaw, which maintains the possibility to tilt the jaws in the horizontal plane. The maximum opening of each jaw is 25 mm from the centre, 5 mm less than for standard collimators, and the stroke across the centre is 5 mm.

As all recent collimators, the design includes two BPMs per jaw, integrated at the extremities outside of the tapering. The jaws feature water cooling, using squared 9 mm pipes. Each jaw contains also 3 LVDT position sensors and 2 TP100 temperature sensors.

All these require new connections, i.e. pulling new cabling for the motors, including LVDTs and temperature sensors. Cables should be pulled also for the BPMs, which should be connected to the standard DOROS electronics as for other collimators. Furthermore, the water cooling has to be connected to the demineralized main water circuit. A new tapping for incoming and outgoing water with a valve on each extremity of the line is needed. No extra BLM is needed – it is instead foreseen to slightly displace one of the existing BLMs to a position on the connection cryostat in the horizontal plane, just downstream of the TCLD, to monitor losses at the collimator [7].

The characteristics of the TCLD are summarized in Table 1. The layout functional position names for the new collimators and the embedded BPMs are listed in Table 2.

The TCLD will be integrated in a specially designed assembly, containing a beam pipe for the other beam, as well as a cryo-bypass, which is needed since the TCLD is a warm element placed between two cold ones. This assembly, which is discussed more in detail in a separate ECR, is shown in Figure 6.

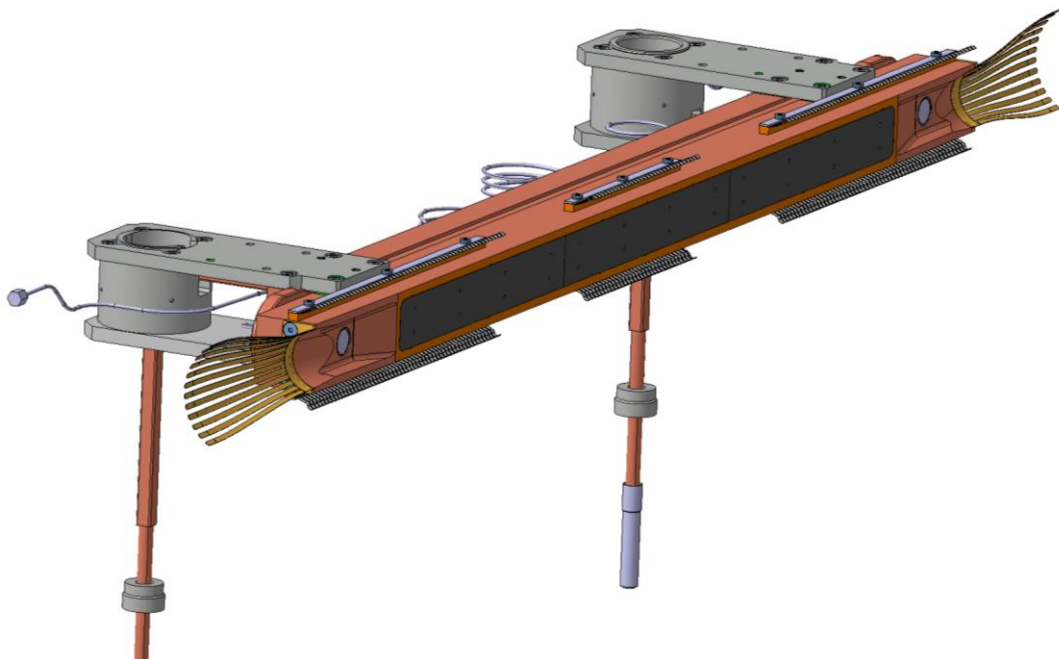


Figure 2 – One of the TCLD jaws, including RF fingers, cooling pipes and BPMs. Courtesy of L. Gentini – SmarTeam number ST0676575.

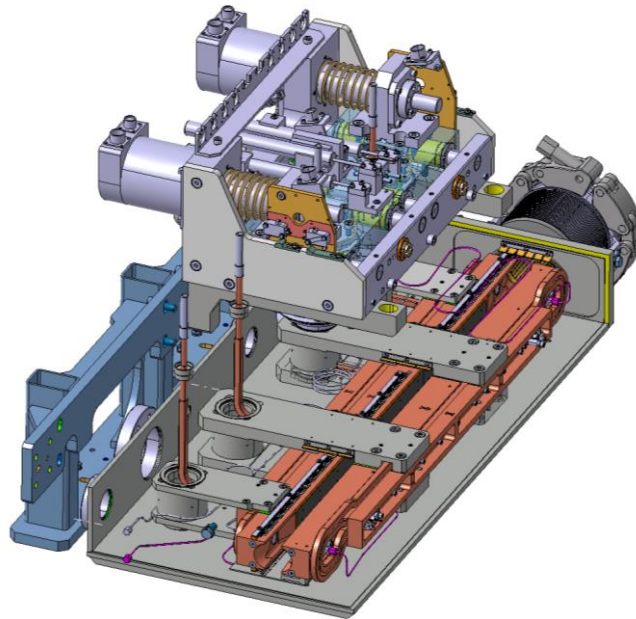


Figure 3 –Two jaws installed on the table (bottom). Courtesy of L. Gentini – SmarTeam number ST0676575.

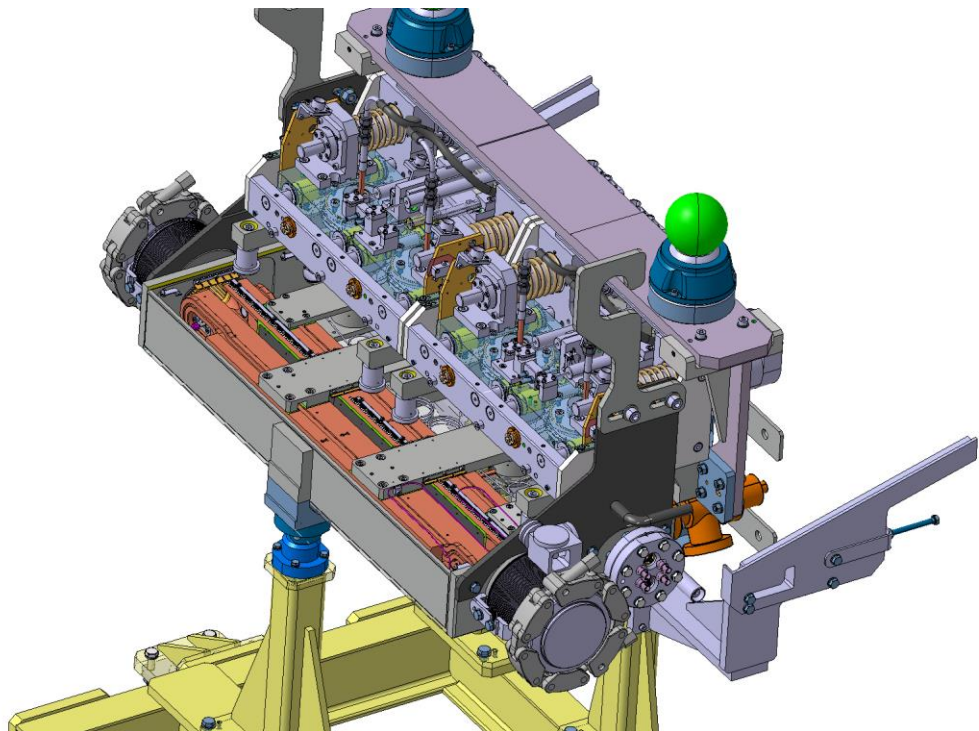


Figure 4 — 3D drawing of the TCLD jaws, integrated in the tank and installed on the supports. Courtesy of L. Gentini – SmarTeam number ST0676575.

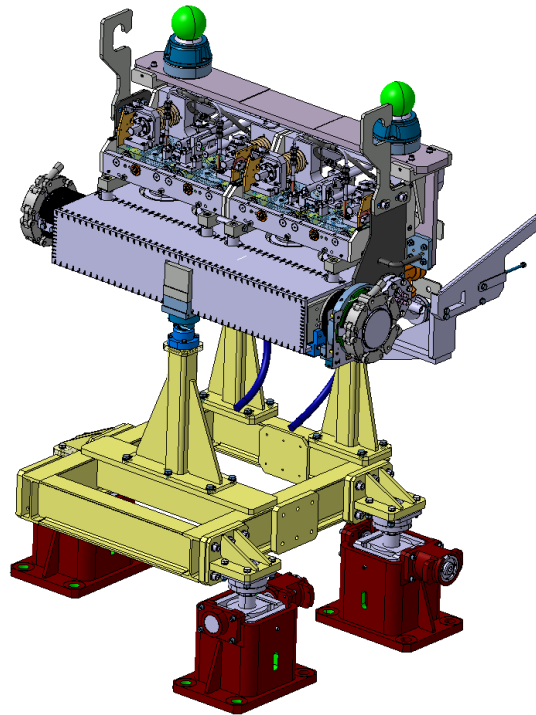


Figure 5 – 3D drawing of the TCLD tank and support. Courtesy of L. Gentini – SmarTeam number ST0676575.

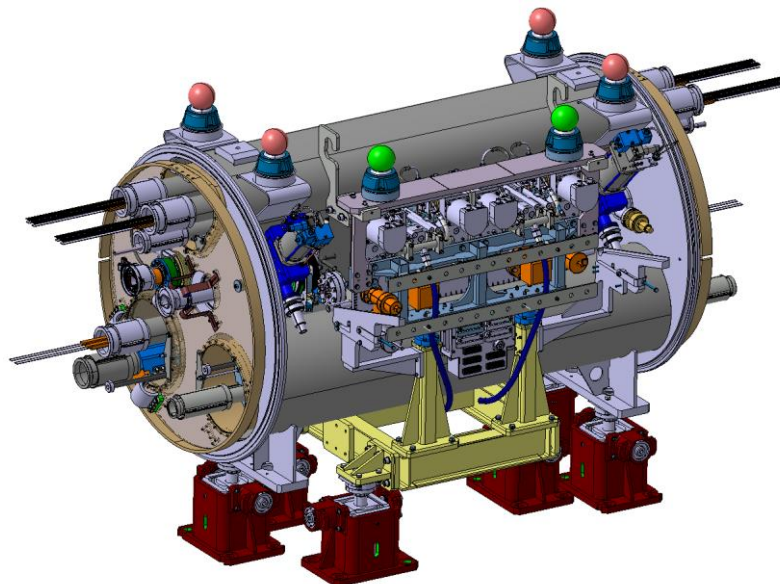


Figure 6 – The assembly to be installed at the location of the IP2 connection cryostats, consisting of TCLD collimator, support, beam pipe for the other beam, and cryo-bypass. Courtesy of L. Gentini – SmarTeam number ST0676575.

Table 1— Detailed parameters of the TCLD collimator.

Characteristics	Units	Value
Jaw active length	mm	600
Jaw absorbing material	-	Inermet 180
Flange-to-flange distance	mm	1080
Number of jaws	-	Two
Orientation	-	Horizontal
Number of BPMs per jaw	-	Two
RF damping	-	RF fingers
Cooling of the jaw	-	Yes
Cooling of the vacuum tank	-	No
Minimum gap	mm	<2
Maximum gap	mm	50
Stroke across zero	mm	5
Number of motors per jaw	-	Two
Angular adjustment	-	Yes
Transverse jaw movement (fifth axis)	-	No

Table 2 — Layout functional positions names for the new collimators and the embedded BPMs

Collimator layout name	Azimuthal angle [deg]	Collimation plane	Name BPM upstream	Name BPM downstream	Name BPM tank
TCLD.11R2.B1	0	H	LHC.BPTUH.11R2.B1	LHC.BPTDH.11R2.B1	--
TCLD.11L2.B2	0	H	LHC.BPTUH.11L2.B2	LHC.BPTDH.11L2.B2	--

3.1 Vacuum Layout Changes

The installation of the TCLD's will require the addition of two sector valves. Consequently, VACSEC12.R and VACSEC23.B will be both divided into three new vacuum sectors as seen on Table 3 and Table 4. With a dual purpose, these tables indicate the start and end DCUM of the new sectors and the vacuum instrumentation to be added to the TCLD and sector valves.

Table 3 – New Vacuum Sectorization in ARC1-2

CURRENT SECTOR	NEW SECTOR	NAME	LENGTH (m)	DCUM START (m)	DCUM END (m)	Notes
VACSEC12.B (External Beam Line)	VACSEC12.B		2819.7864	256.1090	3075.8954	
VACSEC12.R (Internal Beam Line)	VACSECA12.R		2649.8904	256.1090	2905.9994	
		VVGSL	0.1040	2905.9994	2906.1034	VGPB
	VACSECB12.R	TCLD	1.0800	2906.1034	2907.1834	VVFMD, VPNGG, VPNGG, VGFC
		VVGSR	0.1040	2907.1834	2907.2874	VGPB
VACSECC12.R			168.6080	2907.2874	3075.8954	

Table 4 – New Vacuum Sectorization in ARC2-3

CURRENT SECTOR	NEW SECTOR	NAME	LENGTH	DCUM START	DCUM END	Notes
VACSEC23.R (External Beam Line)	VACSEC23.R		2818.0664	3588.3254	6406.3918	
VACSEC23.B (Internal Beam Line)	VACSECA23.B		169.1080	3588.3254	3757.4334	
		VVGSL	0.1040	3757.4334	3757.5374	VGPB
	VACSECB23.B	TCLD	1.0800	3757.5374	3758.6174	VVFMD, VPNGG, VPNGG, VGFC
		VVGSR	0.1040	3758.6174	3758.7214	VGPB
VACSECC23.B		2647.6704	3758.7214	6406.3918		

The introduction of a new sectorization implies the existence of a pumping port and vacuum instrumentation on each sector. New pumping ports and vacuum instrumentation must be added as described on a separate ECR [9], where the same approach is suggested for both Point 2 and Point 7.

4. IMPACT ON OTHER ITEMS

4.1 IMPACT ON ITEMS/SYSTEMS

BE/BI	BE/BI support is required for the BLM acquisition associated to the collimator. It is required to displace an existing nearby BLM to a position just downstream of each TCLD. Details are found in [7]. BE/BI is responsible for the BPM acquisition. Cables should be pulled for the new BPMs. Controls units DOROS should be installed for the signal processing.
TE/VSC	The installation of the TCLDs will require the installation of vacuum components adjacent to the collimators. In addition, new vacuum instrumentation has to be installed and cabled. This improvement will ultimately introduce two new vacuum sectors on each side of point 2 with the installation of two sector valves per side.
BE/OP	New devices will have to be properly configured in the top level control layer of LSA.

4.2 IMPACT ON UTILITIES AND SERVICES

Raw water:	No
Demineralized water:	The water cooling circuit of the TCLD will have to be connected to the main water circuit. New tapping, valves and water hoses are required.
Compressed air:	Compressed air should be available at the TCLD location. TE-VSC needs it for driving the vacuum sector valves and the temporary pumping group.
Electricity, cable pulling (power, signal, optical fibres...):	New cables are required for the motors, LVDTs and temperature sensors. New cables required for BPMs are described in the previous section.
DEC/DIC:	RQF0842047 (EN/SMM) RQF0906326 (BE/BI)



	RQF0912879 (TE/VSC)
Vacuum test at the surface	Once the TCLD is installed, TE-VSC must install the bake-out equipment, perform the bake-out and finally remove all the components for a total of about 2-3 weeks of work per vacuum sector. The TCLD has to pass standard vacuum qualification procedures before and after installation in the tunnel. Sector valves will be installed at each extremity of the TCLD.
Special transport/handling:	No dedicated transport and installation tooling as well as installation procedure.
Temporary storage of conventional/radioactive components:	No
Alignment and positioning:	Standard alignment procedures apply – at installation, the collimator position should be adjusted by the survey team. Marking position on the floor is needed.
Scaffolding:	No
Controls:	<ul style="list-style-type: none"> - The LHC control system must be updated to include the new collimator and BPMs. - The SCADA vacuum control system has to be updated accordingly to the proposed tables and should integrate new vacuum sectors, sector valves, pumps and gauges.
GSM/WIFI networks:	No
Cryogenics:	The implementation of the cryo-bypass is described in the companion ECR by WP11 (under preparation).
Contractor(s):	No
Layout DB:	The Layout DB should be updated on the optical side and for the new vacuum valves, pumps, gauges and vacuum sectorization. New component codes have to be created for the new sector valves (see Tables 3 and 4)

5. IMPACT ON COST, SCHEDULE AND PERFORMANCE

5.1 IMPACT ON COST

Detailed breakdown of the change cost:	The activity is funded by the HL-WP5, unit 5.2 (DS cleaning)
Budget code:	Various codes across the ATS sectors: 53701: HL-LHC WP05-DS Collimation-EN/STI 53709: HL-LHC WP05-DS Collimation-EN/STI [CONS] 53718: HL-LHC WP05-DS Collimation-EN/SMM 53722: HL-LHC WP05-DS Collimation-EN/SMM [CONS] 64073: HL-LHC WP05-DS Collimation-BE/BI 53707: HL-LHC WP05 Collimator production TCLD-TE/VSC

5.2 IMPACT ON SCHEDULE

Proposed installation schedule:	Installation foreseen during 2020.
Proposed test schedule (if applicable):	Prior to installation: controls tests (EN/STI) and vacuum validation (TE/VSC). Impact on the EN/EL team to be evaluated.



Estimated duration:	2-3 weeks
Urgency:	
Flexibility of scheduling:	Limited With the present understanding, no specific safety constraints apply if the installation is done as planned with the sector warm. In case of change of schedule, a safety assessment shall be performed.

5.3 IMPACT ON PERFORMANCE

Mechanical aperture:	The movable collimator will (intentionally) be operated at smaller aperture than the previous beam pipe, in order to intercept beam losses that otherwise would hit the magnets. This will, however, not have any negative influence on the global aperture.
Impedance:	The impedance has been studied by the impedance team for a preliminary design and no issues were found. Checks of the final design are on-going.
Electron cloud (NEG coating, solenoid...)	No change
Insulation (enamelled flange, grounding...)	No change
Vacuum performance:	TE-VSC will perform vacuum acceptance tests on each components to assess vacuum compatibility within LHC vacuum environment based on EDMS 1752123. In case of not conformity the collimators could be rejected and not being installed. No change. The collimator will be qualified by VCS before and after installation.
Others:	

6. IMPACT ON OPERATIONAL SAFETY

6.1 ÉLÉMENT(S) IMPORTANT(S) DE SECURITÉ

Requirement	Yes	No	Comments
EIS-Access		X	--
EIS-Beam		X	--
EIS-Machine		X	--

6.2 OTHER OPERATIONAL SAFETY ASPECTS

The TCLD Safety Assessment Form is available on EDMS 1900519.

Have new hazards been created or changed?	The TCLD doesn't introduce new hazard during its operation. An additional risk assessment using the FMEA method (EDMS 1969909) is being finalised to assess the risks during installation, bake-out, regular maintenance and exceptional replacement during run periods.
Could the change affect existing risk control measures?	no



What risk controls have to be put in place?	The FMEA will help assess the risk control measures to implement to prevent an He spill during installation, bake-out, regular maintenance and exceptional replacement. Preliminary conclusions indicate that in case of exceptional replacement during runs, the sector shall be warmed up to 20K. A procedure for the regular maintenance will be issued by EN-SMM. Bake-out safety constraints will be defined once the TE-VSC thermal simulations will be available.
Safety documentation to update after the modification	Procedures for installation, bake-out, regular maintenance and exceptional replacement shall be updated wrt the conclusions of the FMEA.
Define the need for training or information after the change	The modus operandi to intervene on the TCLD shall be communicated to the intervening workers.

7. WORKSITE SAFETY

7.1 ORGANISATION

Requirement	Yes	No	Comments
IMPACT – VIC:	X		
Operational radiation protection (surveys, DIMR...):	X		Installation in high radiation environment must be done by taking the ALARA principle into account. RP survey needed.
Radioactive storage of material:		X	--
Radioactive waste:		X	--
Fire risk/permit (IS41) (welding, grinding...):		X	
Alarms deactivation/activation (IS37):		X	
Others:			

7.2 REGULATORY TESTS

Requirement	Yes	No	Responsible Group	Comments
Pressure/leak tests:	X		Responsible of cooling water circuits.	Water pressure test of cooling pipes must be done, as specified, before vacuum acceptance test. All cooling pipes must be emptied for the vacuum test. Any water leakage during the bake out could induce short circuits and permanent damage of the bake out system.
			TE-VSC	Helium leak test of the complete collimator before and after bake out cycle is performed.
Electrical tests:		X		



Others:				
---------	--	--	--	--

7.3 PARTICULAR RISKS

Requirement	Yes	No	Comments
Hazardous substances (chemicals, gas, asbestos...):		X	
Work at height:		X	
Confined space working:		X	
Noise:		X	
Cryogenic risks:	X		Warm collimator to be installed between two cold elements with cryo bypass
Industrial X-ray (<i>tirs radio</i>):	X	X	X-rays of the TCLD bellow after installation must be performed
Ionizing radiation risks (radioactive components):			
Others:			

8. FOLLOW-UP OF ACTIONS BY THE TECHNICAL COORDINATION

Action	Done	Date	Comments
Carry out site activities:			
Carry out tests:			
Update layout drawings:			
Update equipment drawings:			
Update layout database:			
Update naming database:			
Update optics (MADX)			
Update procedures for maintenance and operations			
Update Safety File according to EDMS document 1177755 :			
Others:			



9. REFERENCES

- [1] J.M. Jowett et al., Heavy ion beams in the LHC, 20th IEEE Particle Accelerator Conference, Portland, OR, USA, 12 - 16 May 2003, pp.1682 LHC-Project-Report-642
- [2] R. Bruce et al., Beam losses from ultraperipheral nuclear collisions between 208Pb82+ ions in the Large Hadron Collider and their alleviation, Phys. Rev. ST Accel. Beams 12 (2009) 071002.
- [3] G. Apollinari, I. Bejar Alonso, O. Bruning, P. Fessia, M. Lamont, L. Rossi, and L. Tavian (editors). High-Luminosity Large Hadron Collider (HL-LHC): Technical Design Report V. 0.1. CERN Yellow Reports: Monographs. CERN-2017-007-M. CERN, Geneva, 2017
- [4] G. Steele et al., Heat load scenarios and protection levels for ions, presentation at the 2013 LHC Collimation Review 2013
<https://indico.cern.ch/event/251588/timetable/?view=standard>
- [5] M. Schaumann, et al. LHC BFPP Quench Test with Ions (2015) CERN-ACC-NOTE-2016-0024, 2016
- [6] D. Schoerling, Installation of the Connection Cryostat Full Assembly in the LHC P2 (HL-LHC WP11), EDMS LHC-LE-EC-0005 or 1995583
- [7] M. Gonzalez de la Aleja, HL-LHC INTEGRATION REPORT FOR INSTALLATION APPROVAL, CERN EDMS document 1903950 – document to be updated
- [8] J. Jowett, Heavy-ion performance of HL-LHC, Presentation at the 7th HL-LHC Collaboration meeting, Ciemat, Madrid, November 2017,
https://indico.cern.ch/event/647714/contributions/2632851/attachments/1557678/2450759/HL-LHC_Madrid_Jowett_14Nov2017.pdf
- [9] G. Bregliozzi et al., Engineering Change Request: New Vacuum Pumping Ports in the ARCs linked to the 11T and TCLDs Installation, CERN EDMS Document No. 1966384